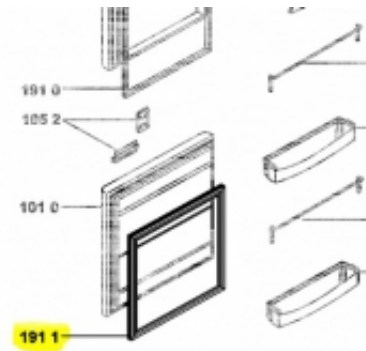


Link do produktu: <https://sklep.mkservice.pl/481946818317-uszczelka-drzwi-zamrazarki-p-39702.html>



## 481946818317 - Uszczelka drzwi zamrażarki

Cena	<b>202 zł</b>
Dostępność	<b>Na zamówienie</b>
Numer katalogowy	<b>C00314263</b>
Kod producenta	<b>481946818317</b>
Producent	<b>Whirlpool</b>

### Opis produktu

Pasuje do lodówek Whirlpool / Bauknecht / Polar / IKEA(byWhirlpool) / KitchenAid ...

Lista modeli: ART474/5

- ART 453/A+
- ART 491/A+
- CB 610 W 601.235.12
- ART 767
- ART484/A+/5
- ART 484/A/4
- ART484/A+/5-LH
- ART 484/A/4-LH
- FIC 375
- ART 484/A/4
- ART471/A+
- ART 471/4
- ART 471/3-LH
- ART 471/3
- ART 481/3
- ART 471/R
- ART 466/G/R
- ART 453/A+
- ART 476/G/R
- ART 472/R
- KRCB 6061
- LPR 373
- ART 458/3-LH
- ART 468/A-LH
- ARL 779/A+/1
- KGIF 3309/A
- KGIE 3219/A
- KGIE 3109/A
- KGIE 3109/A-LH
- KRCB 6060

ART 484/A/4  
ART 496/NFV  
CR326AP7  
KRCB 6060  
KRCB 6065  
ARL 760/A  
ART 464  
ART 496/NFV  
FW 870  
ART 471/3  
ART 471/3-LH  
CR325APL  
FIC-57NF  
KRCB 6035  
ARL761/A  
ART 484/A/4-LH  
ART 497/NF/A+  
ART 474/4  
ART 491/A+  
KRCB 6020  
KRCB 6020  
CR328APZD  
ART 471/A+  
ART 483/4  
ART488/A+  
KRCB 6020  
CR325ANF  
KRCB 6040  
ART 471/4  
ART 483/4  
ART 484/A/4  
ART 489  
ART 492  
ART 495/NF  
ART 496/NFV  
ART 496/NFV  
ART 492  
ART 450/6  
KGI 2904/A+  
KGIE 3204/A+  
KGIN 3212/A  
FIC-67E  
KGIN 3305/A+  
KGIN 3305/A+  
KGIF 3305/A+  
KGIF 3305/A+  
KGIE 3105/A++  
ART484/A+/5

ART484/A+/5-LH  
ART 762/A+  
KRCB 6036  
KRCB 6068  
KGIK 3104/A  
KGIK 3109/A+  
ART474/5  
KRCB 6036  
KGIE 3105/A++L  
KRCB 6066  
ART 489/5  
KRCB 6025  
KRCB 6025  
KRCB 6061  
ART 766/NFV  
ART 766/NFV  
ART 769/NFV  
ART 455/5  
ART 495/NF/5  
KGI 2904/A  
ART 483/5  
ART 483/5/LH  
ART 767  
ART 763/NF/A+  
ART 764/A+  
ART 764/A++  
KRCB 6063  
ART 761/A+  
ART 763/NF  
KRCB 6030  
KRCB 6063  
ART 765/A++  
KRCB 6030  
ART488/5  
KRCB 6035  
KGIE 3205/A++  
FC180AC  
KGIN 3305/A+  
KGIN 3305/A+  
KRCB 6020  
KRCB 6020  
KRCB 6062  
ART 466/3  
ART 491/A+/LH  
ART 467/3  
KGIW 3600  
KGIW 3600-LH  
CR 327 AV7

ART 468/A  
ART 483/4  
KCFF70B  
CB 181 101.8248.6  
CB 184 301.824.85  
CB 180 601.824.84  
KGIK 3100  
BCB35A+  
KGIK 3109/A/1  
5624 F/1  
CB 601 W 201.235.09  
KGIF 3305/A+/1  
KGIE 3105/A++/1  
KGIE 3105/A+++LH/1  
ART 113/A+  
ART 489/6  
ART 864/A+  
ART 865/A++  
ART 486/A+/5  
CR328APPLE  
ART 864/A++  
CR325APNF  
ART 862/A+  
ART 486/A+/5 LH  
ART113/A+  
ART499/NF/5  
ART 863/A+/NF  
PRBI 290 A+  
PRBIF 290 A++  
KGIE 3204/A+  
KGIE 3105/A++/1  
KGIE 3105/A++LH/1  
WW-COM779  
WW-COM779  
KD6178BDUU/A02  
PRBI 290 A+  
ART 863/A/NF  
CR328APPLE  
CB 180 601.824.84  
CR325APL  
KD6178BFUU/A02  
ARL 779/A+/1  
ART 862/A+  
ART 864/A++  
ART 865/A++  
ART 484/A/4  
ART484/A+/5-LH

KRCB 6063  
CB 181 101.8248.6  
CB 184 301.824.85  
KS3178BUU/A06  
KS3178BUU/A06  
KGIK 3109/A+  
KS3178BDUU/A02  
KD6178BUU/A06  
BCB35DIA+  
KGIF 3305/A+  
KGIE 3205/A++  
KGIK 3104/A  
KGIK 3100/A/1  
KGI 3112/A+  
ART 489/6  
ART 453/A+  
ART471/A+  
ART488/5  
ART 491/A+  
ART 491/A+/LH  
ART486/A+/5  
ART486/A+/5 LH  
ART 483/4  
KD6178BUU/A06  
KGIF 31811/A+  
ART 864/A+  
KGI 11611/A+  
KGI 11811/A+  
ART 458 A+ LH  
ART 468 A+ LH  
ART 766/NFV  
ART 769/NFV  
401.995.03 CB 164 FRIDGE/FREEZE  
801.995.01 CB 160 FRIDGE/FREEZE  
KGIN 31811/A+  
KGIE 21811/A+  
ART 766/NFV  
CB 181 101.8248.6  
601.824.84 CB 180 FRIDGE/FREEZE  
ART 468 A+ LH  
FC180AC  
ART 453/A+  
ARL 761/A  
CR325APL FR  
KS3178BUU/A  
ART 450-A  
ART 491/A+  
ART 491/A+/LH

ART 767  
ART 471/4  
ART 471/A+  
ART 468/4 F  
ART 471/3  
ARL 759/A/1  
ARL 779/A+/1  
FW 870  
KGIK 3104/A  
BCB35A+  
ART 466/3  
ART 468/A-LH  
ART 471/3-LH  
ART 486/A+/5  
PRBI 251 A+  
ART 486/A+/5 LH  
CB 602 W 801.235.11  
CR324A7 FRI  
CB 184 301.824.85  
KGIK 3100/1/A  
KGI 3112/A+  
ART 458/A-LH  
KGI 2904/A+  
KGI 2904/A  
KGI 2951/A/1  
ART 474/5  
ART 458 A+ LH  
ART 472/A+  
KD6178BDUU/A03  
KGIK 3200/A+  
ART 450-A-LH  
601 235 12 CB 610 W INTEGR. COO  
KD6178BFUU/A03  
ART 487/A  
KGIK 3200/A  
PRBI 290 A+  
PRBIF 290 A++  
KGI 2905/A+  
KGI 2905/A+ -LH  
KGI 2900/A/1  
KGI 2900/A-LH/1  
ART 491/A+  
ART 491/A+/LH  
CR327AV7 FR  
KD6178BUU/A06  
KGIK 3109/A+

WW-COM779  
ART 483/4  
ART 483/5  
CR324ASX7 F  
ART 455/A  
KGIN 3305/A+  
KGI 11611/A+  
KGIK 3200/A  
ART 762/A+/1  
ART 455/5 F  
KS3178BDUU/A03  
KGIK 3109/A+  
KGI 11811/A+  
KGIF 3305/A+/1  
KGIN 3305/A+  
KGI 2904/A  
KGIK 3104/A  
ART 459/A+/NF  
ART 468/4  
ART 767  
FW 870  
KGIN 3305/A+  
KGIE 3205/A++  
KGIE 3105/A++/1  
KGIE 3105/A++-LH/1  
KS3178BFUU/A02  
KS3178BFUU/A02  
KS3178BFUU/A03  
KS3178BFUU/A01  
ART 474/5  
ARL 759/A/1  
CR324ASX7  
ART 450-A  
ART 450-A-LH  
ART 466/3  
ART 471/3  
ART 863/A+/NF/1  
KCFF70B  
ARL 761/A  
KGIE 21811/A+  
KGIK 3104/A  
ART 471/3-LH  
ART 484/A/4  
KGIN 31811/A+  
KGIN 3305/A+  
CR328APLE

KGIF 31811/A+  
KGI 2904/A  
KGIF 3305/A+/1  
KGIK 3100/1/A  
KGIE 3105/A++/1  
KGIE 3105/A++-LH/1  
BCB35A+  
ART 455/A  
ART 455/5  
ART 471/4  
ART 769/NFV  
KGIN 3305/A+  
KGIE 3205/A++  
CLC 31  
ARL 759/A/1  
FW870IN  
KGIK 3100/1/A  
801.995.01 CB 160 FRIDGE/FREEZE  
601.824.84 CB 180 FRIDGE/FREEZE  
101.824.86 CB 181 FRIDGE/FREEZE  
ART 474/5  
KD6178BFUU/A03  
BCB35A+  
KS3178BUU/A06  
KGI 11811/A+  
KGIE 21811/A+  
ART 458 A+ LH  
ART 468 A+ LH  
301.824.85 CB 184 FRIDGE/FREEZE  
KGI 11611/A+  
KS3178BDUU/A03  
ARL 779/A+/1  
KGIK 3104/A  
KGIK 3109/A+  
KGIF 31811/A+  
KGI 2905/A+ -LH  
KGI 3112/A+  
ART 486/A+/5  
PRBI 251 A+  
KGI 2905/A+  
CR324PNF  
ART 766/NFV  
ART 869/A+/NF  
KGIF 3305/A+/1  
ART499/NF/5  
ART 766/NFV  
KD6178BUU/A06

ART 113/A+  
ART 883/A+/NF  
ART 869/A+/NF  
ART 459/A+/NF/1  
ART 880/A+/NF  
801.995.01 CB 160 FRIDGE/FREEZE  
802.217.76 CB 181 NF FRIDGE/FRE  
402.217.78 CB 184 NF FRIDGE/FRE  
602.217.77 CB 180 NF FRIDGE/FRE  
401.995.03 CB 164 FRIDGE/FREEZE  
ART 963/A+/NF  
CR325PNFZ  
KGIN 3183 A++  
KGIN 1183 A+  
ART 883/A+/NF  
KRCB 6026  
KRCB 6037  
KGIN 3305/A+  
KGIN 31811/A+  
ART 883/A+/NF  
ART 883/A+/NF  
KGIN 3305/A+  
KGIN 2890 A++  
ART 880/A+/NF  
602.217.77 CB 180 NF FRIDGE/FRE  
ART 883/A+/NF  
602.217.77 CB 180 NF FRIDGE/FRE  
ART 963/A+/NF  
KRBT 6020  
ART 871/A+/NF  
ART 871/A+/NF  
ART 880/A+/NF  
402.217.78 CB 184 NF FRIDGE/FRE  
ART 883/A+/NF  
CR324PNF  
CR325PNFZ  
ART 459/A+/NF/1  
ART 869/A+/NF  
KGIN 1183 A+  
ART 884/A+/NF  
ART 459/A+/NF/1  
ART 963/A+/NF  
ART 880/A+/NF  
ART 883/A+/NF  
KGIN 3183 A++  
KGIN 3184 A++

ART 871/A+/NF  
ART 871/A+/NF  
ART 871/A+/NF  
KGIN 2890 A++  
ART 883/A+/NF  
KGIN 31811/A+  
402.217.78 CB 184 NF FRIDGE/FRE  
602.217.77 CB 180 NF FRIDGE/FRE  
CR325PNFZSX  
CR324PNF1  
ART 872/A+/NF  
802.217.76 CB 181 NF FRIDGE/FRE  
ART 871/A+/NF  
CR324PNF  
ART 869/A+/NF  
ART 883/A+/NF  
CR324PNF1  
ART 963/A+/NF  
ART 459/A+/NF/1  
ART 884/A+/NF  
CR325PNFZ  
KRBT 6020  
KGIN 1183 A+  
ART 880/A+/NF  
ART 872/A+/NF  
ART 872/A+/NF  
KBBX104EPA  
ART 890/A++/NF  
C7310NEP  
ART 884/A+/NF  
ART 883/A+/NF  
KCBCS 20600  
KCBCR 20600  
ART 895/A++/NF  
ART 872/A+/NF  
KGIN 1183 A+  
KCBCR 18600  
KRCB 6037  
KCBCS 18600  
KRCB 6026  
KGIN 3183 A++  
KGIN 3184 A++  
FBCD 362 NF ED  
FBC 362 NF ED  
B 20 A1 FV C/HA  
KGN 3185 A++

BCB 7030 AAA F C  
BCB 7030 AA F C  
HMCB 7030 AA D F.UK  
BCB 8020 AA F C  
ART 201/63A+/NF  
ART 195/63 A+/NF  
BCB 80201 AA F C O3  
BCB 8020 AA F C O3(R  
BCB 7030 AA F C (RU)  
BCB 7030 AA F C O3  
BCB 7030 AAA F C O3  
KGIN 2890 A++  
KBBX104EPA  
BCB 7030 AA F C O3  
ART9620A++NF  
IB7030FTW  
BCB 8020 AA F C O3(R  
BCB 7030 AAA F C O3  
BCB 7030 AAA F C  
HMCB 7030 AA D F.UK  
BCB 7030 AA F C (RU)  
BCB 8020 AA F C  
BCB 7030 AA F C  
BCB 7030 F 60HZ  
KBCBR 20600 (UK)  
KCBCS 20600 (UK)  
B 20 A1 FV C/HA  
BCB 7030 F EX  
BCB 7030 F AUS  
KCBCS 18600 (UK)  
KBCBR 18600 (UK)  
BCB 80201 AA F C O3  
IB 7030 F EX  
BKVDN179  
BCB 7030 AA D F  
KAAU7030  
KGIN 3184 A++  
BCB 8020 AA F C  
ART 890/A++/NF  
BCB 7030 F AUS  
KBBX104EPA  
KGIN 3183 A++  
BCB 7030 AAA F C  
BCB 7030 AAA F C O3  
ART 9620 A+ NF  
ART 895/A++/NF  
403.756.43 CB 188 NF FRIDGE/FRE

BCB 7030 F 60HZ

ART 890A++NF HK

KGIN 2890 A++

KGN 3185 A++

ACB2000AAFCO3

ACB1800AAFCO3

KGIN3183A++HK