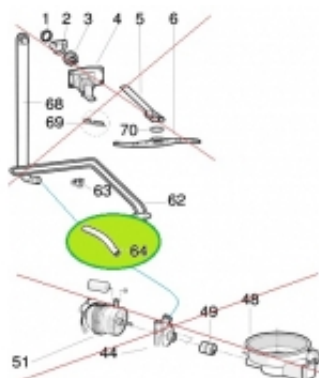


Link do produktu: <https://sklep.mkservice.pl/c00076233-waz-pompa-ramie-gorne-p-39352.html>



## C00076233 - WAŻ POMPA - RAMIE GÓRNE

|                  |                      |
|------------------|----------------------|
| Cena             | <b>83 zł</b>         |
| Dostępność       | <b>Na zamówienie</b> |
| Numer katalogowy | <b>C00076233</b>     |
| Kod producenta   | <b>C00076233</b>     |
| Producent        | <b>Indesit</b>       |

### Opis produktu

Część jest zgodna z dokumentacją urządzeń o kodzie producenta:

|             |             |             |
|-------------|-------------|-------------|
| 64490090000 | 37555870000 | 37251490000 |
| 37251140000 | 37249830000 | 37235240100 |
| 37251330000 | 37251330100 | 37234850100 |
| 37249530000 | 37241780000 | 37243940000 |
| 37272200000 | 37258060100 | 37249490000 |
| 37235190100 | 37249500000 | 37234380200 |
| 37170150000 | 37170150300 | 37249510000 |
| 37234520100 | 37183810000 | 37183810200 |
| 37341270000 | 37344980000 | 37353150000 |
| 37332230000 | 37353160900 | 37341440000 |
| 37272510000 | 37246110000 | 64406660000 |
| 37302190000 | 37299250100 | 37299230200 |
| 37299080900 | 37299210300 | 37303500100 |
| 37420610000 | 37411650000 | 64402170000 |
| 37420500100 | 37272240000 | 37249700000 |
| 37268060000 | 37249860000 | 37272230100 |
| 37319560000 | 37299300000 | 37306340000 |
| 37234580200 | 37303770000 | 37322230000 |
| 37303920000 | 37303730900 | 37322210000 |
| 37342830000 | 37408860000 | 37408900000 |
| 37439430000 | 37303511100 | 37332350000 |
| 64562930000 | 37249870000 | 37265650000 |
| 37249980000 | 37272470000 | 37249850000 |
| 37249460000 | 37254430000 | 37243960000 |
| 37235000100 | 37234930100 | 37170130200 |
| 37170140100 | 37178240100 | 37258070100 |

|             |             |             |
|-------------|-------------|-------------|
| 37281540000 | 37249550100 | 37284640000 |
| 37272110100 | 37279410000 | 37272220000 |
| 37271950000 | 37341200000 | 37299410100 |
| 37300430000 | 37319840100 | 37299230000 |
| 37299080100 | 37299060000 | 37303500000 |
| 37420640000 | 37420490000 | 37420650000 |
| 37393290100 | 37234540100 | 37322170000 |
| 37295110000 | 37249740000 | 37344570000 |
| 37341170000 | 37281500000 | 37249950200 |
| 37303690900 | 37299310000 | 37320060000 |
| 37332120000 | 37304170100 | 37304040000 |
| 37322210100 | 37322210200 | 37303810000 |
| 37342830900 | 37348650900 | 37279480000 |
| 37408850000 | 37439420000 | 64489890000 |
| 37420630000 | 37332340000 | 64562940000 |
| 37240920000 | 37251800100 | 37249720000 |
| 37234820100 | 37272150100 | 37244550100 |
| 37235210100 | 37249580000 | 37249560000 |
| 37249650000 | 37244540000 | 37170130300 |
| 37170160100 | 37170160200 | 37249920100 |
| 37234940200 | 37247570100 | 37255370100 |
| 37271900100 | 37341400100 | 37341180000 |
| 37387300000 | 37268110000 | 37249800000 |
| 37249930000 | 37284700100 | 37299070100 |
| 37302170000 | 37299240200 | 37302120000 |
| 37303490100 | 37306800000 | 37420620000 |
| 37393290900 | 37310860100 | 37246090000 |
| 37234560200 | 37245580000 | 37304190000 |
| 37299290100 | 37303690000 | 37299300900 |
| 37304080900 | 37303720000 | 37323080000 |
| 37331490000 | 37342830100 | 37386240000 |
| 37409110000 | 37439440000 | 64480380000 |
| 64480400000 | 37303510900 | 64603570000 |
| 37249790000 | 37268040000 | 37272480000 |
| 37249940100 | 37272250000 | 37268070000 |
| 37249950100 | 37266230000 | 37250020000 |
| 37249780000 | 37235170100 | 37234850300 |
| 37241800000 | 37184280000 | 37249640000 |
| 37244550000 | 37234450100 | 37235060200 |
| 37246100000 | 37263750000 | 37258040000 |
| 37234930000 | 37244970000 | 37244970100 |
| 37184590100 | 37184590200 | 37170130000 |

|             |             |             |
|-------------|-------------|-------------|
| 37170130100 | 37170150200 | 37178240300 |
| 37249910000 | 37234840100 | 37234490200 |
| 37249460100 | 37272110000 | 37279160000 |
| 37279310000 | 37353150900 | 37341400000 |
| 37341190000 | 37344990000 | 37249930100 |
| 37299280000 | 37299390000 | 37299220200 |
| 37299240900 | 37300400000 | 37420480000 |
| 37415520100 | 37411650100 | 37281700000 |
| 37277100000 | 37304190900 | 37332360000 |
| 37299320000 | 37322150000 | 37299310900 |
| 37322710100 | 37299120000 | 37304170900 |
| 37303730000 | 37348650000 | 64402410000 |
| 37303510000 | 37332350100 | 64571160000 |
| 37271940000 | 37249690000 | 37249890000 |
| 37265640000 | 37249950000 | 37246020000 |
| 37246120000 | 37268090000 | 37243930000 |
| 37246070000 | 37234820200 | 37250870000 |
| 37249570000 | 37243950000 | 37249900000 |
| 37234620100 | 37235100100 | 37251170000 |
| 37184590000 | 37170140300 | 37170150100 |
| 37170160300 | 37234830200 | 37247580000 |
| 37258050000 | 37235160100 | 37234520200 |
| 37235090100 | 37222630000 | 37353140000 |
| 37353140900 | 37272500000 | 37250030000 |
| 37249710000 | 37288500000 | 37300420000 |
| 37299250200 | 37303490000 | 37299210100 |
| 37310750000 | 37415520000 | 37412020000 |
| 37393330900 | 37322170900 | 37373410000 |
| 37310860000 | 37303740000 | 37246060000 |
| 37234560100 | 37245580100 | 37272530000 |
| 37272440000 | 37299290000 | 37300410000 |
| 37320060100 | 37322710900 | 37322280000 |
| 37303780000 | 37332210000 | 37452400000 |
| 37251130000 | 37271930000 | 37262720000 |
| 37266270000 | 37249810000 | 37249770000 |
| 37246080000 | 37249760000 | 37272520000 |
| 37263490000 | 37249960000 | 37249670000 |
| 37246030000 | 37234850200 | 37241340100 |
| 37241340200 | 37249240000 | 37234440100 |
| 37272150000 | 37254430100 | 37235060300 |
| 37243910000 | 37235100200 | 37235000200 |
| 37170130400 | 37170140000 | 37178240200 |

|             |             |             |
|-------------|-------------|-------------|
| 37235110100 | 37234380100 | 37234940000 |
| 37183810100 | 37234440200 | 37272070000 |
| 37272100000 | 37184830200 | 37344980900 |
| 37332240000 | 37332240900 | 37353160000 |
| 37249660000 | 37249840000 | 37284710100 |
| 37299390100 | 37299410000 | 37299220000 |
| 37299240000 | 37299250000 | 37234540200 |
| 37322170100 | 37281510000 | 37295110100 |
| 37249880000 | 37303790000 | 37304190100 |
| 37272230000 | 37300140000 | 37299300100 |
| 37299320100 | 37299310100 | 37234580300 |
| 37299120100 | 37304030000 | 37322180000 |
| 37323040000 | 37303820900 | 64406460000 |
| 64402190000 | 64402200000 | 37432180000 |
| 64375210000 | 37303510100 | 37555880000 |
| 37258890000 | 37268080000 | 37266260000 |
| 37249750000 | 37266240000 | 37249940200 |
| 37249970000 | 37249990000 | 37234960100 |
| 37234530100 | 37249540000 | 37243920000 |
| 37235040100 | 37170160000 | 37249920000 |
| 37234840200 | 37234830100 | 37234490100 |
| 37184830000 | 37279490000 | 37272080000 |
| 37272120000 | 37341400900 | 37341190900 |
| 37344990100 | 64406860000 | 37412030000 |
| 37288480000 | 37306860000 | 37299070900 |
| 37303480100 | 37299230100 | 37299080000 |
| 37299400000 | 37299400100 | 37302130000 |
| 37299130100 | 37299130200 | 37420610100 |
| 37420620100 | 37417540000 | 37420500000 |
| 37373410900 | 37247570000 | 37272450000 |
| 37332200000 | 37345000000 | 37303690100 |
| 37303691000 | 37303680000 | 37299301000 |
| 37325540000 | 37299320900 | 37320060900 |
| 37304170000 | 37322230900 | 37322210900 |
| 37348650100 | 64406850000 | 37436870000 |
| 64490050000 | 37332340900 | 37332341000 |
| 37345010000 | 37345010200 | 64580220000 |
| 37262870000 | 37249730000 | 37268050000 |
| 37268100000 | 37249820000 | 37255370000 |
| 37251800000 | 37266250000 | 37234640100 |
| 37241790000 | 37234400100 | 37243970000 |
| 37234450200 | 37235060100 | 37249680000 |

|             |             |             |
|-------------|-------------|-------------|
| 37235100300 | 37234590100 | 37237740000 |
| 37170140200 | 37178240000 | 37249550000 |
| 37249200000 | 37247580100 | 37279840000 |
| 37332220000 | 37281690100 | 37288490000 |
| 37299690000 | 37299070000 | 37299220100 |
| 37299270000 | 37299240100 | 37319840000 |
| 37303480000 | 37299400900 | 37299210000 |
| 37299210200 | 37299130000 | 37422300000 |
| 37393330000 | 37234400200 | 37234950100 |
| 37345000100 | 37234580100 | 37322710000 |
| 37304080000 | 37303780900 | 37320010000 |
| 37303750000 | 37303930000 | 37303820000 |
| 64400410000 | 37419880000 | 37303511000 |
| 37345010100 |             |             |